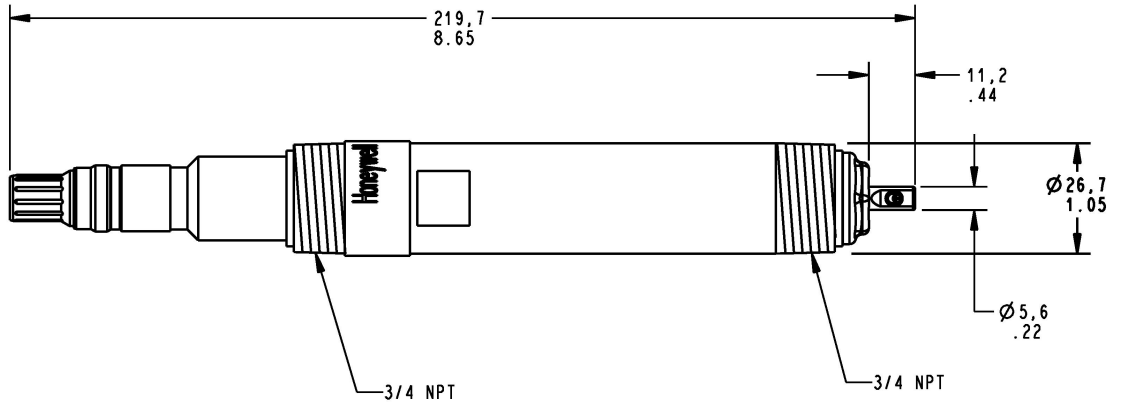
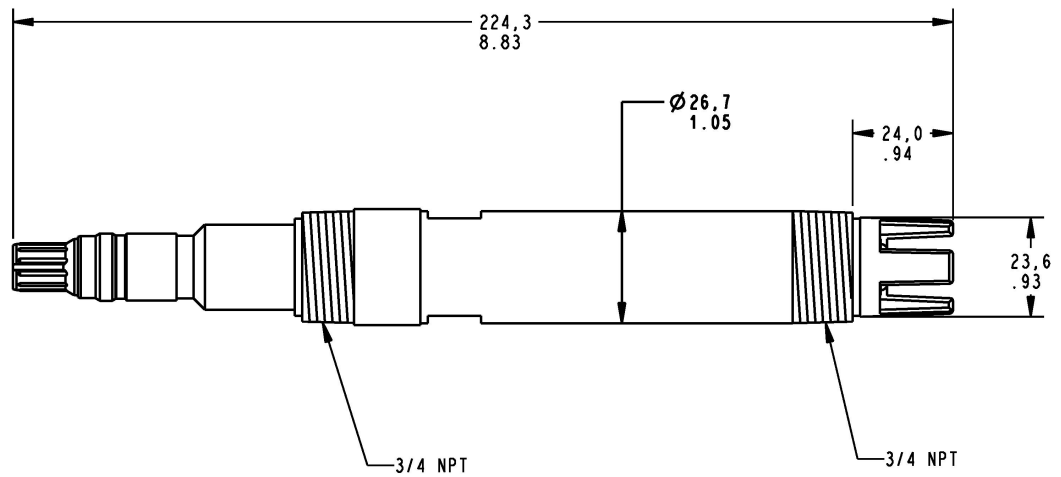


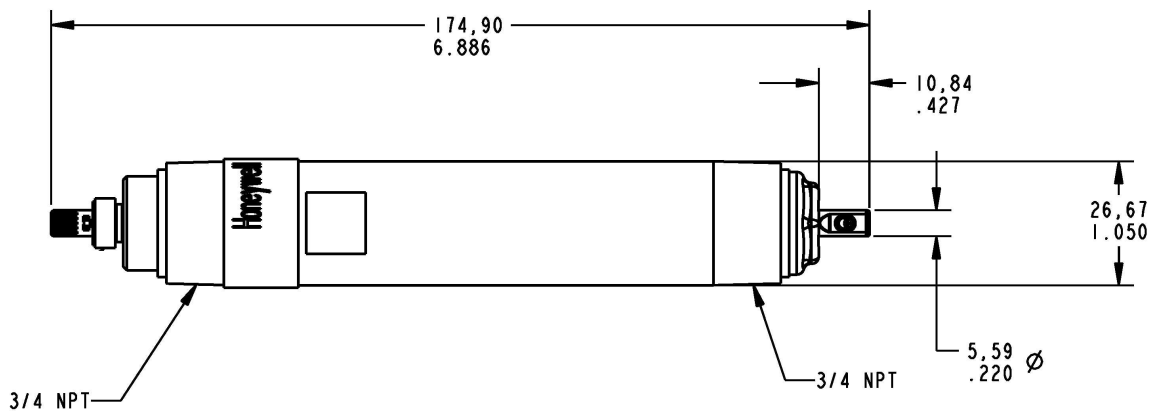
## Dimensions



**Durafet III (Vario Pin Connector) pH Electrode for In-Line Mountings (Smooth Tip)**



**Durafet III (Vario Pin Connector) pH Electrode for Immersion Mountings (Guarded Tip)**

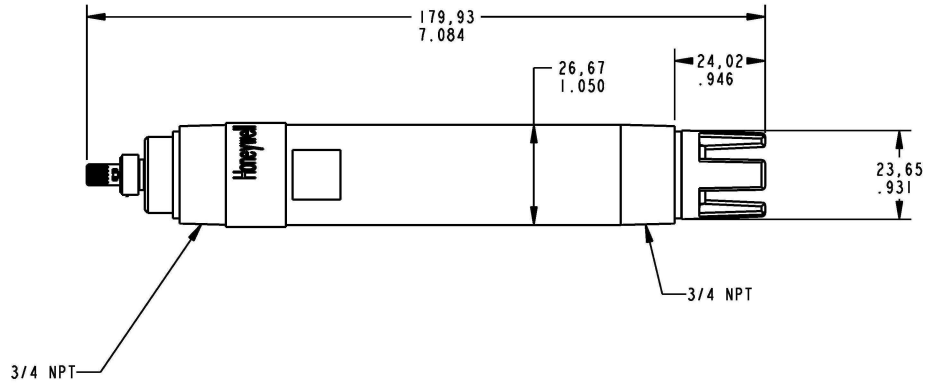


**Durafet II (PC Board Connector) pH Electrode for In-Line Mountings (Smooth Tip)**

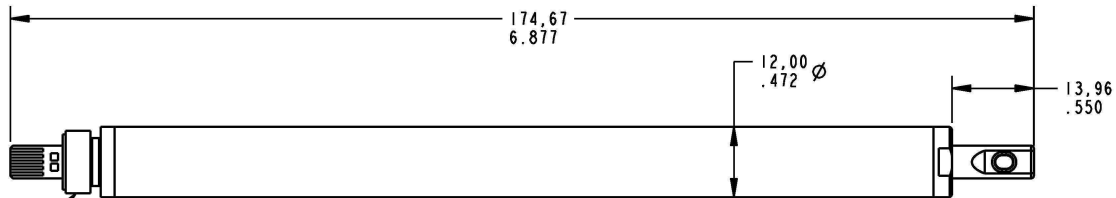
---

**Dimensions (cont'd)**

---



**Durafet II (PC Board Connector) pH Electrode for Immersion Mountings (Guarded Tip)**



**Durafet II (PC Board Connector) pH Electrode 12mm diameter**