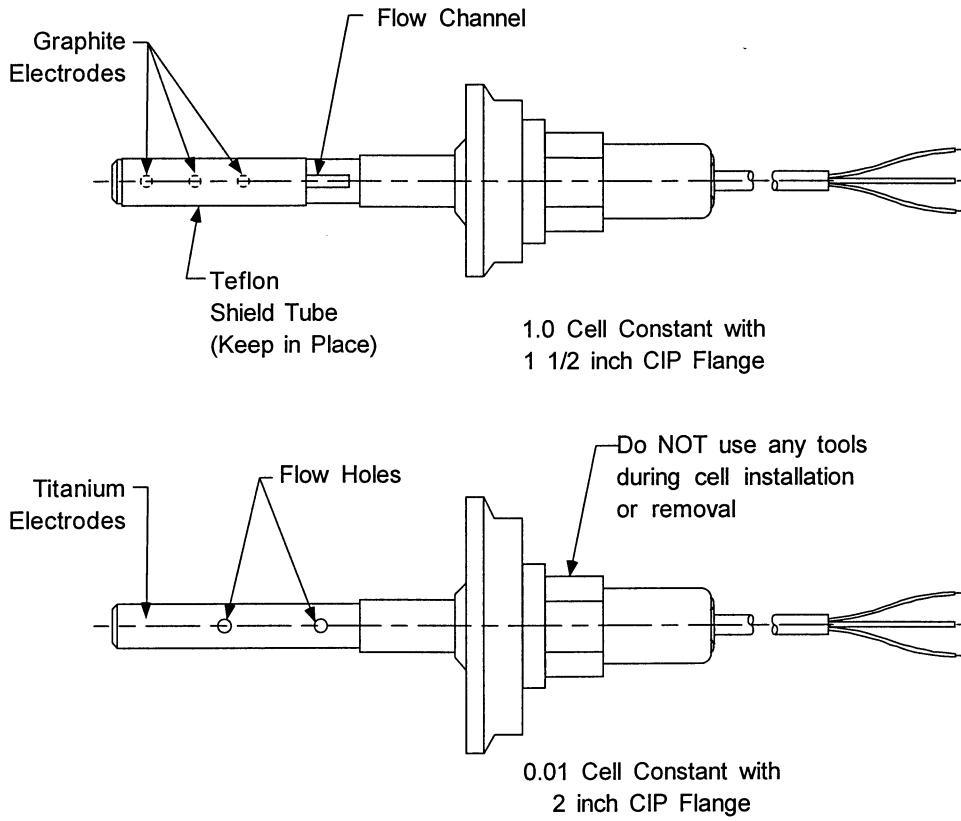


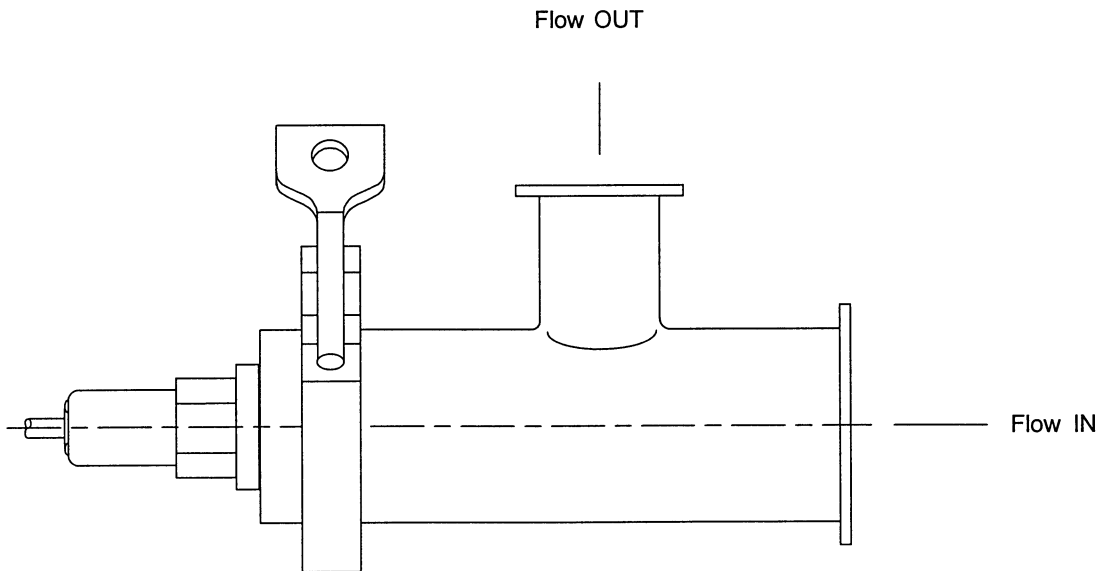
4974 Series Sanitary Mounting CIP Conductivity Cells



NOTE: Cell Constants of 0.1 and 10.0 are similar in construction.

a/n 23332

Figure 1-1 4974 Series conductivity Cells



a/n 23333

Figure 1-2 Pipe Tee Cell Mounting

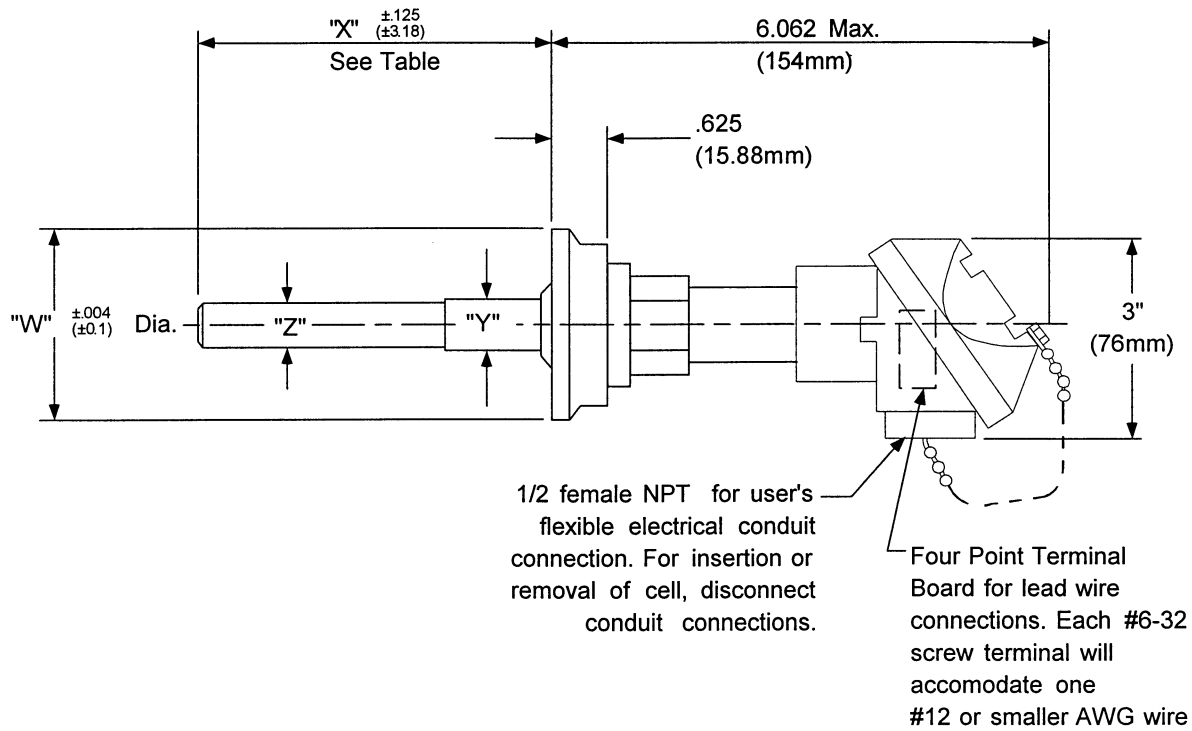


Table I	Dim "X"		Dim "Y"		Dim "Z"	
	Inch	mm	Inch	mm	Inch	mm
001	3.250	82.6	.703	17.9	.542	13.8
X01	2.500	63.5	.703	17.9	.542	13.8
XX1	3.437	87.3	.593	15	.524	13.3
X10	3.437	87.3	.593	15	.524	13.3

Table IV	Dim "W"	
	Inch	mm
015	1.980	50.3
020	2.520	64

NOTE:

- To maintain Cell/CIP fitting pressure and temperature service ratings, use appropriate heavy construction clamp/gasket combination. (Clamp with wing nut tightened to 25 in-lb torque and Epom, Viton or Silicone gasket.)

a/n 23334

Figure 2-1 Dimension Drawing, Catalog 4974-□-□-□-□-□

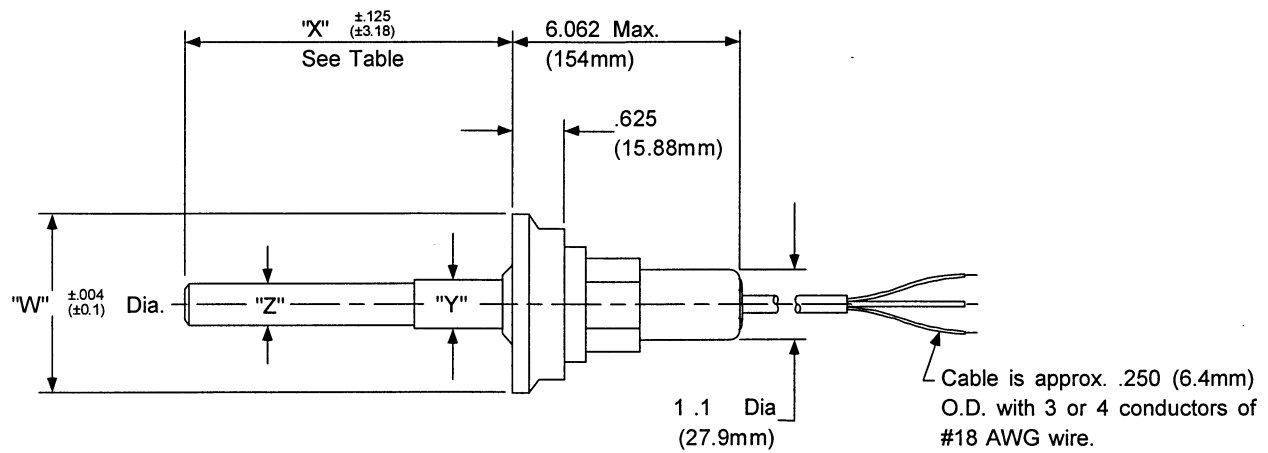


Table I	Dim "X"		Dim "Y"		Dim "Z"	
	Inch	mm	Inch	mm	Inch	mm
001	3.250	82.6	.703	17.9	.542	13.8
X01	2.500	63.5	.703	17.9	.542	13.8
XX1	3.437	87.3	.593	1 5	.524	13.3
X10	3.437	87.3	.593	1 5	.524	13.3

Table IV	Dim "W"	
	Inch	mm
015	1.980	50.3
020	2.520	64

NOTE:

- To maintain Cell/CIP fitting pressure and temperature service ratings, use appropriate heavy construction clamp/gasket combination. (Clamp with wing nut tightened to 25 in-lb torque and Epom, Viton or Silicone gasket.)

a/n23335

Figure 2-2 Dimension Drawing, Catalog 4974-□-□-7/20-□-□