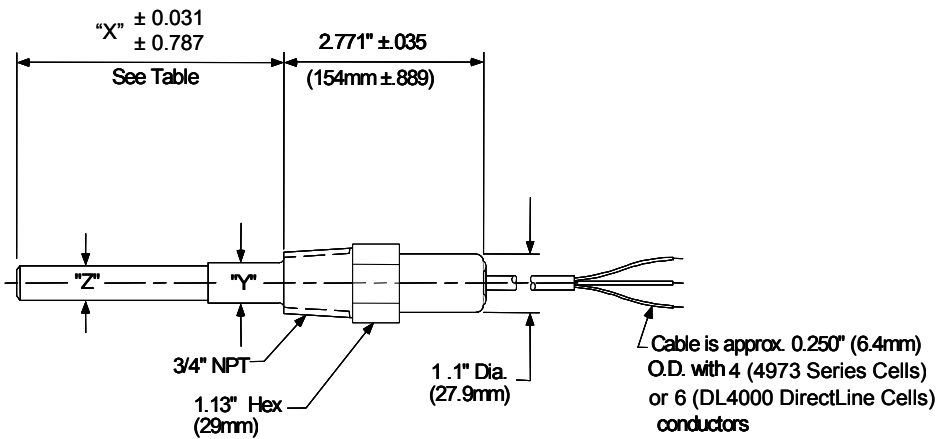


NOTE: For existing users with conduit, a 3/4" x 1/2" adapter bushing will be required to use existing conduit.

Figure 3-2 Outline and Dimensions for 4973-□-□-X1-00-□ Conductivity Cell with Universal Head



Suffix A	Dim "X"		Dim "Y"		Dim "Z"	
	Inch	mm	Inch	mm	Inch	mm
00.1	3.3	84	.703	17.85	.542	13.76
0.1	2.6	66	.703	17.85	.542	13.76
1.0	3.5	89	.593	15.06	.625	15.87
10	3.5	89	.593	15.06	.564	14.32

Figure 3-3 Outline and Dimensions for Model 4973-□-□-X7/20-00-□ Conductivity Cell and DL43XX Conductivity Cell